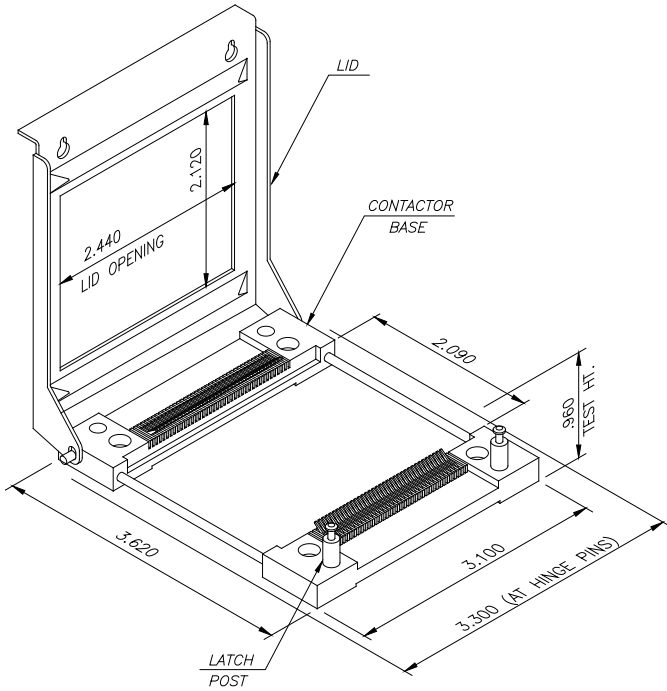




CONTACTOR FOR .050 c/c x 64 LEADS

6151C

07/03

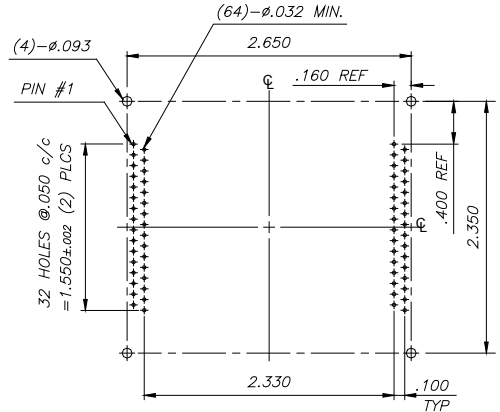
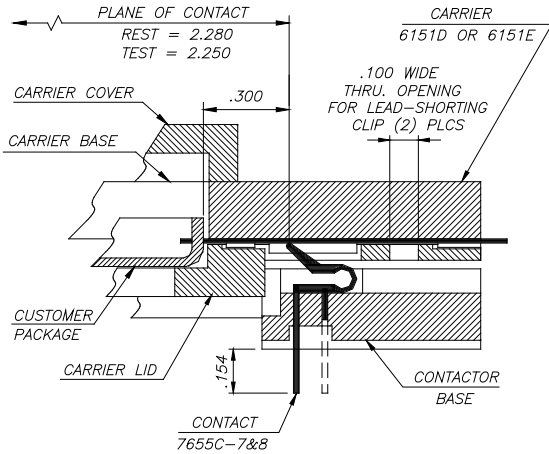


SPECIFICATIONS:

INSULATOR: PPS (POLYPHENYLENE SULFIDE)
 LID: BeCu, NICKEL PLATED
 LATCH POST: BRASS, NICKEL PLATED
 CONTACT: BeCu., SPRING TEMPERED
 30u GOLD OVER 30u NICKEL
 THERMAL RANGE: -55°C/+155°C

FEATURES:

REPAIRABLE.
 USED WITH CARRIER 6151D AND 6151E



FOOTPRINT
(SOCKET SIDE OF BOARD)