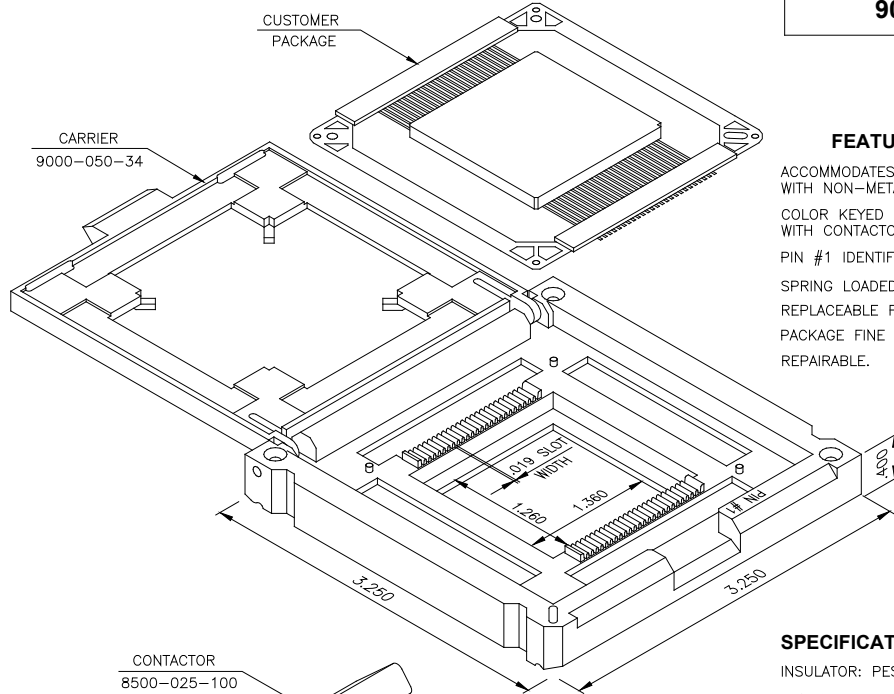


Azimuth

CONTACTOR AND CARRIER FOR
.050 c/c x 34 LDS

9500-050-34
9000-050-34

05/04



FEATURES:

ACCOMMODATES UNFORMED LEAD PACKAGES WITH NON-METALLIC COMB BAR.

COLOR KEYED FOR EFFICIENT INDEXING WITH CONTACTOR.

PIN #1 IDENTIFIER.

SPRING LOADED LATCHING.

REPLACEABLE FINNED INSERTS.

PACKAGE FINE ALIGNMENT PIN.

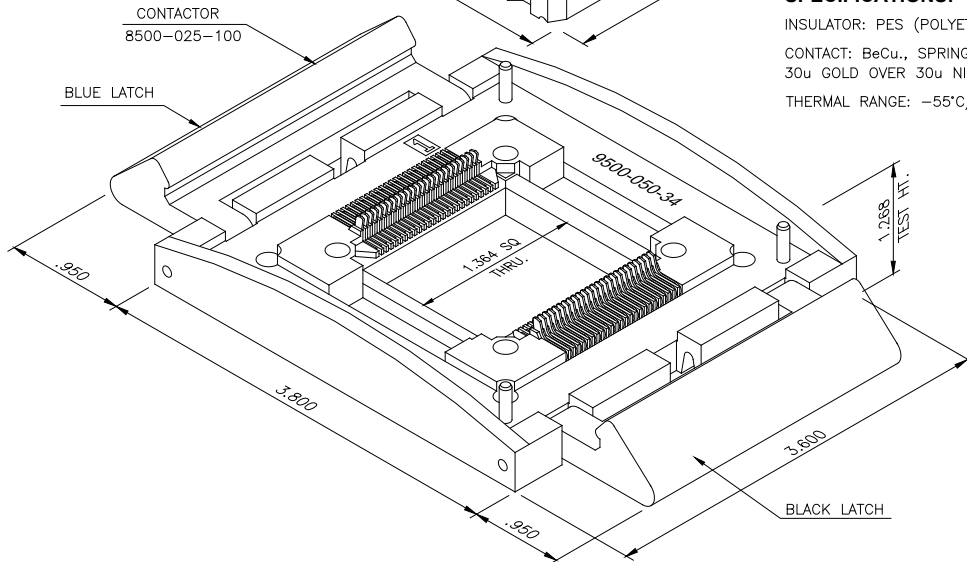
REPAIRABLE.

SPECIFICATIONS:

INSULATOR: PES (POLYETHERSULFONE).

CONTACT: BeCu., SPRING TEMPERED
30u GOLD OVER 30u NICKEL.

THERMAL RANGE: -55°C/+155°C.



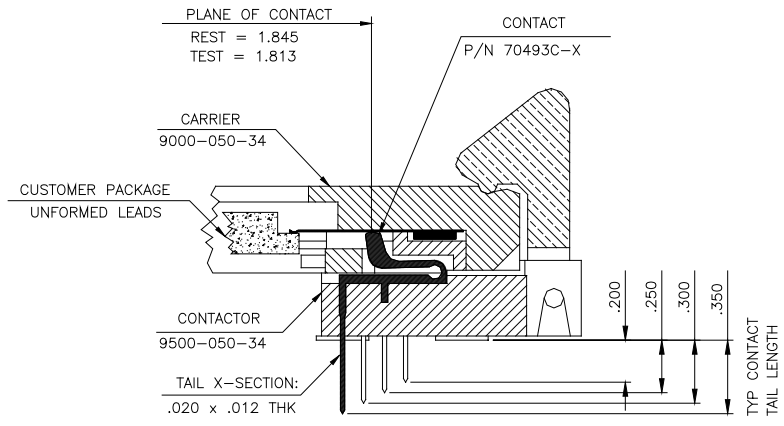
Azimuth
ELECTRONICS, INC.

2605 S El Camino Real
San Clemente, CA 92672 USA

PH: 949.492.6481 FX: 949.492.0744

sales@azimuth-electronics.com

www.azimuth-electronics.com



SECTION THRU CONTACT

