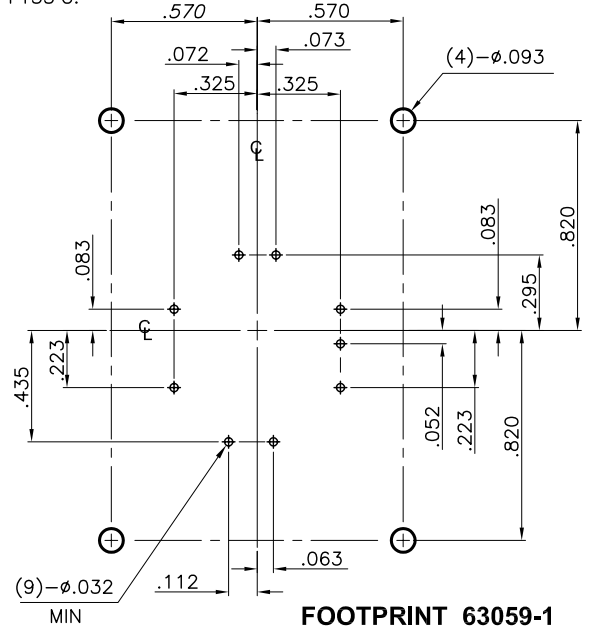


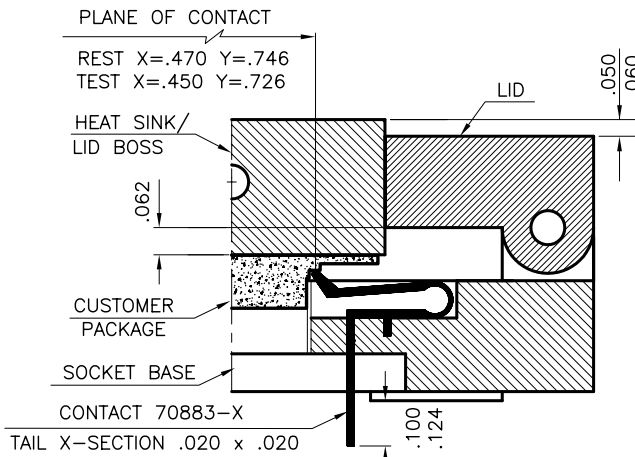
SPECIFICATIONS:

CONTACTOR: POLYETHERSULFONE (PES)
CONTACT: BeCu., SPRING TEMPERED
30u GOLD OVER 30u NICKEL.
LID BOSS: ANODIZED ALUMINUM
THERMAL RANGE: -55°C/+155°C.

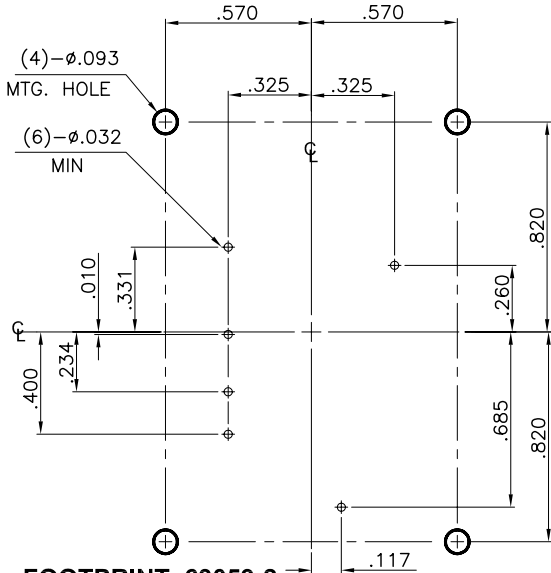
FEATURE:
REPAIRABLE.



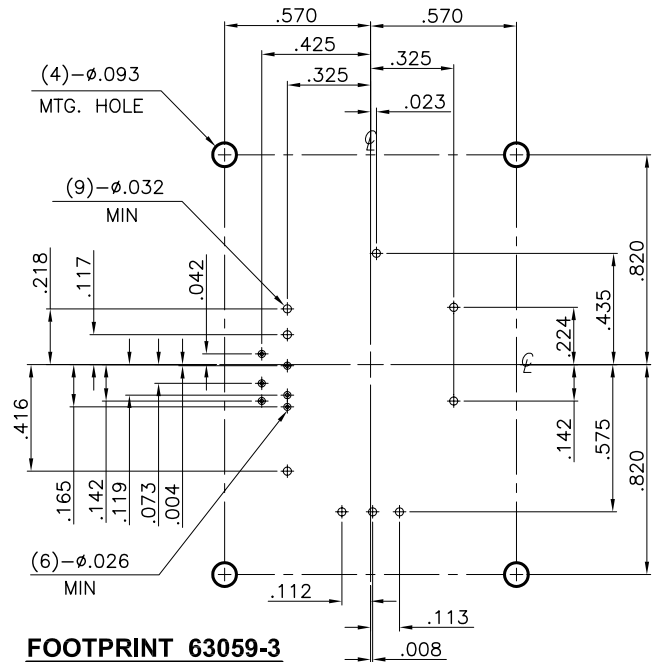
FOOTPRINT 63059-1
(SOCKET SIDE OF BOARD)



SECTION THRU CONTACT



FOOTPRINT 63059-2
(SOCKET SIDE OF BOARD)



FOOTPRINT 63059-3
(SOCKET SIDE OF BOARD)