

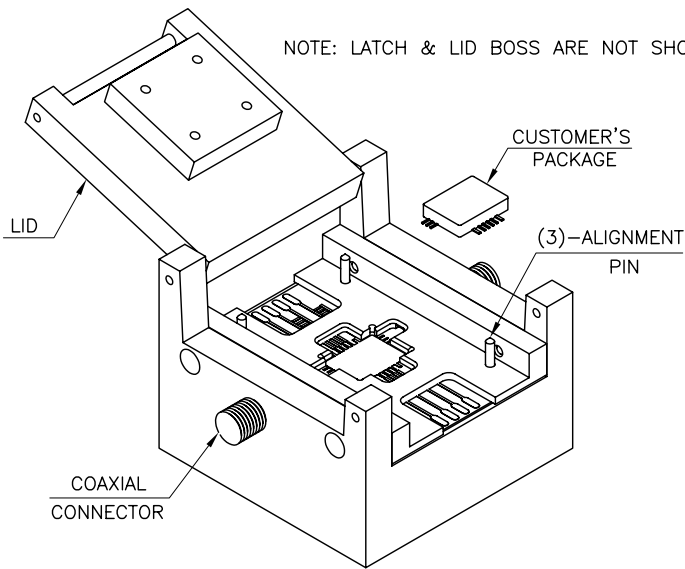


SOCKET- TEST FOR  
18 PIN FLAT PACK

**63086**

01/07

NOTE: LATCH & LID BOSS ARE NOT SHOWN FOR CLARITY.



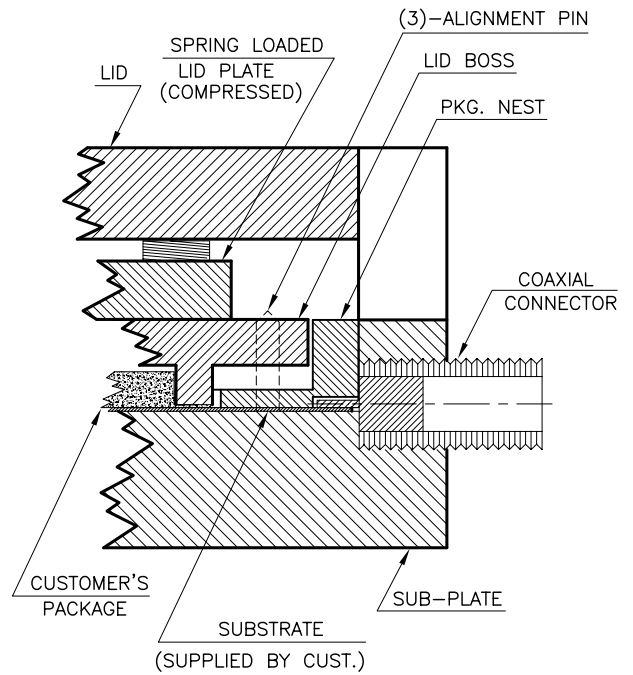
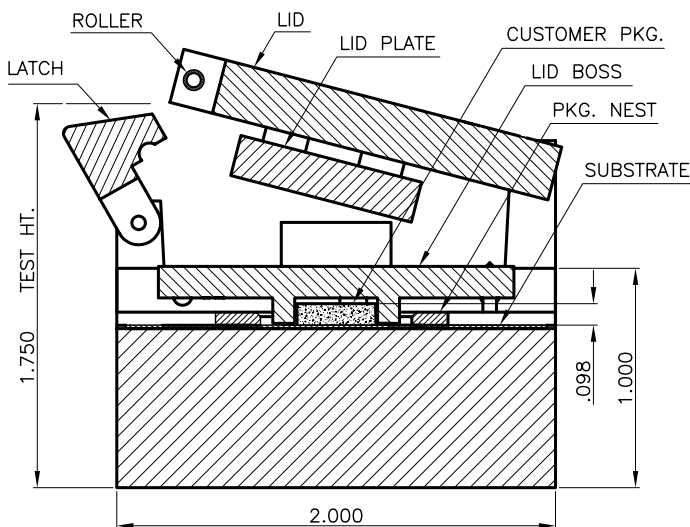
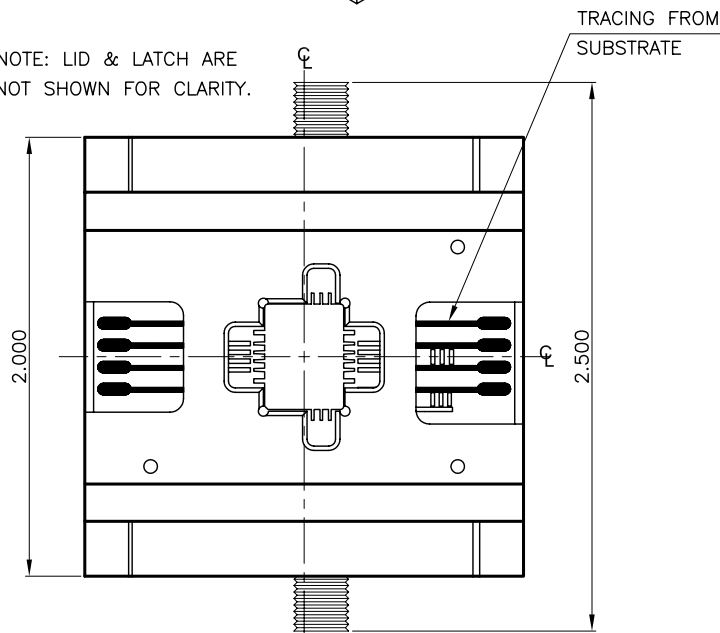
**SPECIFICATIONS:**

INSULATOR & NEST: ULTEM & PES  
SUB PLATE: ALUMINUM  
LID BOSS: TFE  
THERMAL RANGE: -55°C to +155°C.

**FEATURES:**

REPAIRABLE.

NOTE: LID & LATCH ARE NOT SHOWN FOR CLARITY.



**CROSS-SECTION  
SOCKET AT TEST**