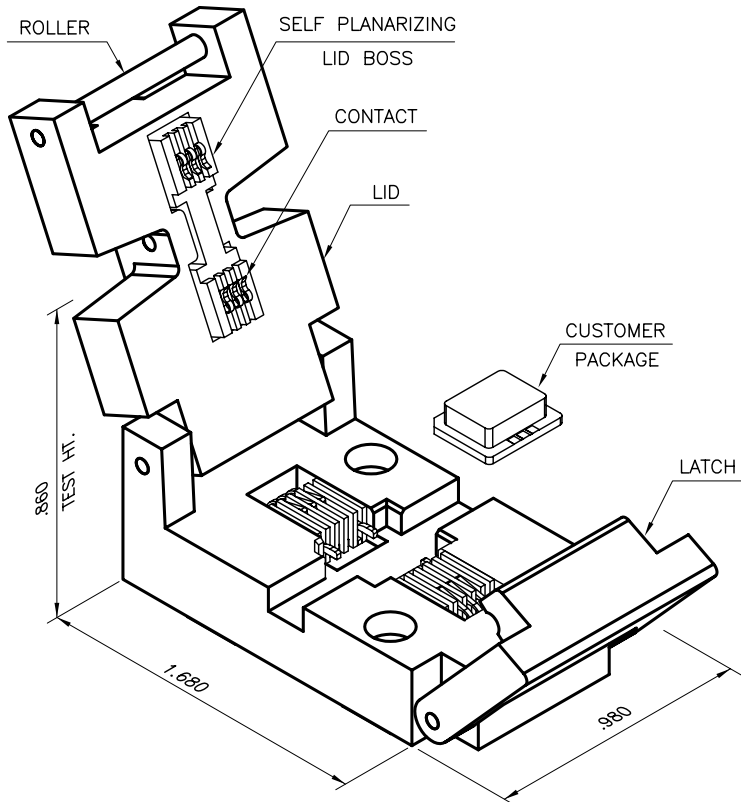




SOCKET-TEST FOR  
MICROWAVE PACKAGES

**63093**

01/07



**SPECIFICATIONS:**

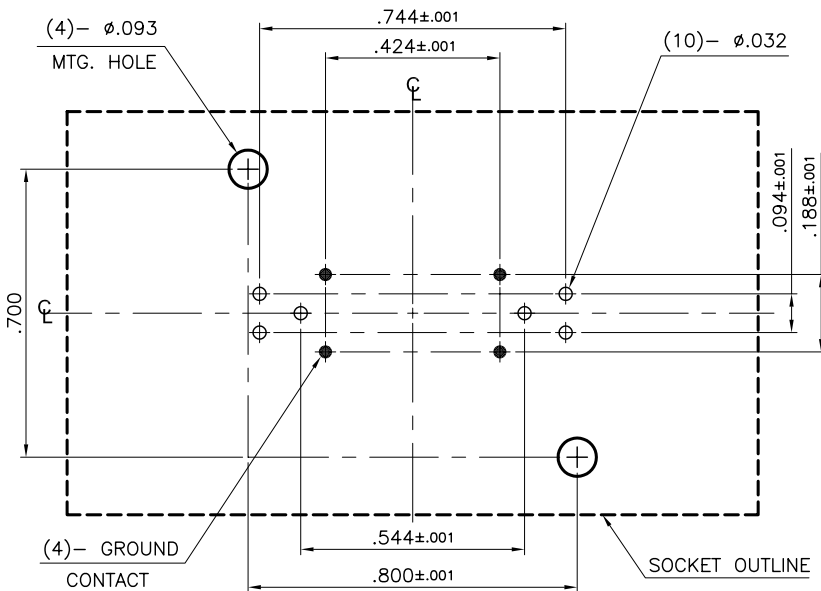
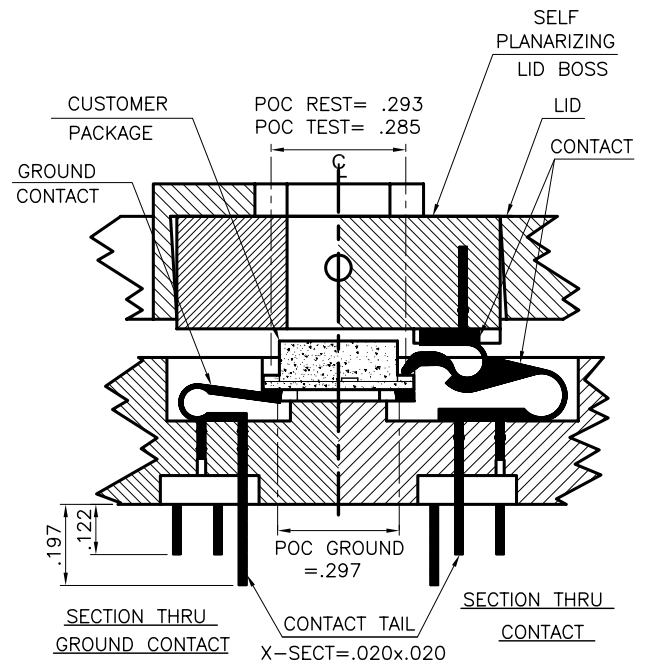
INSULATOR: POLYPHENYLENE SULFIDE (PES)

CONTACT: BeCu., SPRING TEMPERED  
30u GOLD OVER 30u NICKEL.

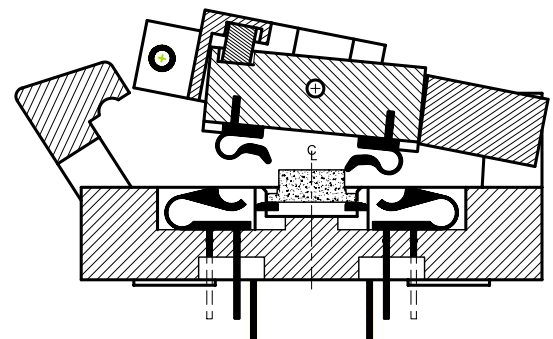
THERMAL RANGE: -55°C to +155°C.

**FEATURES:**

REPAIRABLE.



**FOOTPRINT**  
(SOCKET SIDE OF BOARD)



**SECTION THRU CONTACT**

SCALE: NTS